



**Design No. M513**  
**BXUV.M513**  
**Fire Resistance Ratings - ANSI/UL 263**

Page Bottom

---

**Design/System/Construction/Assembly Usage Disclaimer**

- Authorities Having Jurisdiction should be consulted in all cases as to the particular requirements covering the installation and use of UL Certified products, equipment, system, devices, and materials.
  - Authorities Having Jurisdiction should be consulted before construction.
  - Fire resistance assemblies and products are developed by the design submitter and have been investigated by UL for compliance with applicable requirements. The published information cannot always address every construction nuance encountered in the field.
  - When field issues arise, it is recommended the first contact for assistance be the technical service staff provided by the product manufacturer noted for the design. Users of fire resistance assemblies are advised to consult the general Guide Information for each product category and each group of assemblies. The Guide Information includes specifics concerning alternate materials and alternate methods of construction.
  - Only products which bear UL's Mark are considered Certified.
- 

**BXUV - Fire Resistance Ratings - ANSI/UL 263**

**BXUV7 - Fire Resistance Ratings - CAN/ULC-S101 Certified for Canada**

[See General Information for Fire-resistance Ratings - ANSI/UL 263](#)

[See General Information for Fire Resistance Ratings - CAN/ULC-S101 Certified for Canada](#)

**Design No. M513**

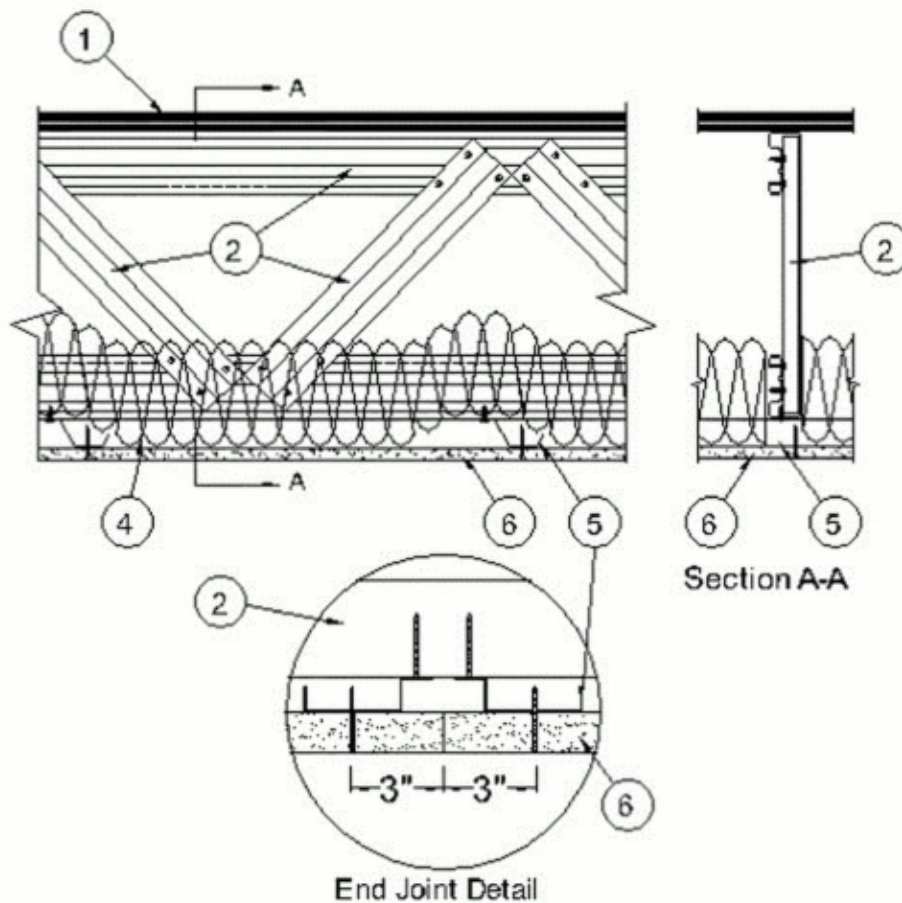
February 26, 2015

**Unrestrained Assembly Rating — 1 Hr**

**Unrestrained Beam Rating — 1 Hr**

**This design was evaluated using a load design method other than the Limit States Design Method (e.g., Working Stress Design Method). For jurisdictions employing the Limit States Design Method, such as Canada, a load restriction factor shall be used — See Guide [BXUV](#) or [BXUV7](#)**

**\* Indicates such products shall bear the UL or cUL Certification Mark for jurisdictions employing the UL or cUL Certification (such as Canada), respectively.**



1. **Flooring System** — The flooring system shall consist of one of the following:

**System No. 1**

**Subflooring** — Min 23/32 in. thick wood structural panels, min grade "Underlayment" or "Single-Floor". Face grain of plywood or strength axis of panel to be perpendicular to trusses with joints staggered 4 ft. Plywood or panel mechanically fastened to trusses 12 in. OC in conjunction with construction adhesive.

**Subflooring (Alternate) - Structural Cement-Fiber Units\*** — Nominal 19 mm (3/4 in.) thick tongue and groove structural cement-fiber units. Long dimension of panels to be perpendicular to trusses with end joints staggered. Panels fastened to the trusses with #10 self-drilling, self-tapping cement board screws 1-3/4 in. long. Screws shall be spaced 6 in. OC along the perimeter of each sheet and 12 in. OC in the field of each sheet. Screws shall be spaced 1/2 in. from end joints and 1 in. from side joints.

**ECTEK INTERNATIONAL INC** — Armoroc Panel

**Vapor Barrier - (Optional)** — Nom 0.030 in thick commercial asphalt saturated felt.

**Finish Flooring** — Min 1 by 4 in. T & G lumber installed perpendicular to trusses, or min 15/32 in. thick wood structural panels, min grade "Underlayment" or "Single-Floor". Face grain of plywood or strength axis of panel to be perpendicular to trusses with joints staggered.

**System No. 2**

**Subflooring** — Min 23/32 in. thick wood structural panels, min grade "Underlayment" or "Single-Floor". Face grain of plywood or strength axis of panel to be perpendicular to trusses with joints staggered 4 ft. Plywood or panel mechanically fastened to trusses 12 in. OC in conjunction with construction adhesive.

**Floor Mat Materials\* - (Optional)** — Floor mat material nom 5/64 in. (2mm) thick adhered to subfloor with Hacker Floor Primer. Primer to be applied to the surface of the mat prior to the placement of a min 1 in. of floor-topping mixture.

**ECORE INTERNATIONAL INC** — Type QTscu 4002

**HACKER INDUSTRIES INC** — Type Hacker Sound-Mat.

**Alternate Floor Mat Materials - (Optional)** — Floor mat material nom 1/4 in. (6mm) thick adhered to subfloor with Hacker Floor Primer. Primer to be applied to the surface of the mat prior to the placement of a min 1-1/4 in. (32mm) of floor-topping mixture.

**ECORE INTERNATIONAL INC** — Type QTrbm 3006-3

**HACKER INDUSTRIES INC** — Type Hacker Sound-Mat II.

**Alternate Floor Mat Materials - (Optional)** — Floor mat material nom 1/8 in. (3mm) thick loose laid over the subfloor. Floor topping thickness shall be a min of 3/4 in. (19mm)

**HACKER INDUSTRIES INC** — FIRM-FILL SCM 125

**Alternate Floor Mat Materials - (Optional)** — Floor mat material nom 1/4 in. (6mm) thick loose laid over the subfloor. Floor topping thickness shall be a min of 1 in. (25mm)

**HACKER INDUSTRIES INC** — Type FIRM-FILL SCM 250, Quiet Qurl 55/025

**Alternate Floor Mat Materials - (Optional)** — Floor mat material nom 3/8 in. (10mm) thick loose laid over the subfloor. Floor topping thickness shall be a min of 1-1/4 in. (32mm)

**HACKER INDUSTRIES INC** — FIRM-FILL SCM 400, Quiet Qurl 60/040

**Alternate Floor Mat Materials - (Optional)** — Floor mat material nom 3/4 in. (19mm) thick loose laid over the subfloor. Floor topping thickness shall be a min of 1-1/2 in. (38mm)

**HACKER INDUSTRIES INC** — Type FIRM-FILL SCM 750, Quiet Qurl 65/075

**Metal Lath (Optional)** — For use with 3/8 in. (10 mm) floor mat materials, 3/8 in. expanded steel diamond mesh, 3.4 lbs/sq yd placed over the floor mat material. Hacker Floor Primer to be applied prior to the placement of the metal lath. When metal lath is used, floor topping thickness a nom 1-1/4 in. over the floor mat.

**Finish Flooring - Floor Topping Mixture\*** — Min 3/4 in. thickness of floor topping mixture having a min compressive strength of 1100 psi. Mixture shall consist of 6.8 gal of water to 80 lbs of floor topping mixture to 1.9 cu ft of sand.

**HACKER INDUSTRIES INC** — Firm-Fill Gypsum Concrete, Firm-Fill 2010, Firm-Fill 3310, Firm-Fill 4010, Firm-Fill High Strength, Gyp-Span Radiant

### System No. 3

**Subflooring** — Min 23/32 in. thick wood structural panels, min grade "Underlayment" or "Single-Floor". Face grain of plywood or strength axis of panel to be perpendicular to trusses with joints staggered 4 ft. Plywood or panel mechanically fastened to trusses 12 in. OC in conjunction with construction adhesive.

**Finish Floor - Mineral and Fiber Board\*** — Min 1/2 in. thick, supplied in sizes ranging from 3 ft by 4 ft to 8 ft by 12 ft. All joints to be staggered a min of 12 in. with adjacent sub-floor joints.

**HOMASOTE CO** — Type 440-32 Mineral and Fiber Board

### System No. 4

**Subflooring** — Min 23/32 in. thick wood structural panels, min grade "Underlayment" or "Single-Floor". Face grain of plywood or strength axis of panel to be perpendicular to trusses with joints staggered 4 ft. Plywood or panel mechanically fastened to trusses 12 in. OC in conjunction with construction adhesive.

**Vapor Barrier - (Optional)** — Nom 0.030 in thick commercial asphalt saturated felt.

**Floor Mat Materials\* - (Optional)** — Nom 1/4 in. thick floor mat material loose laid over the subfloor. Maxxon Floor Primer to be applied to the surface of the mat prior to the floor topping placement. When floor mat material is used, min thickness of floor topping mixture is 1 in. Floor topping thickness a min 3/4 in. over Acousti-Mat I floor mat.

**MAXXON CORP** — Type Acousti-Mat I, Acousti-Mat II, Acousti-Mat II HP.

**Alternate Floor Mat Materials\* - (Optional)** - Nom 0.8 in. thick floor mat material loose laid over the subfloor with Crack Suppression Mat (CSM) loose laid over the floor mat material. Floor topping thickness shall be min 1-1/2 in.

**MAXXON CORP** — Type Acousti-Mat 3, Acousti-Mat 3 HP, Crack Suppression Mat (CSM)

**Metal Lath** (Alternate to Crack Suppression Mat (CSM)) - 3/8 in. expanded galvanized steel diamond mesh, 3.4 lbs/sq yd loose laid over the floor mat material. Floor topping thickness shall be min 1-1/2 in.

**Fiber Glass Mesh Reinforcement** — (Optional) — Maxxon Corp's "Maxxon Reinforcement (MR)" for use with or as an

alternate to CSM or metal lath reinforcement, the materials consists of a plastic coated non-woven fiber glass mesh grid intended to suppress cracks in the Floor Topping Mixture

**Alternate Floor Mat Materials\*** - (Optional) — Nom 0.4 in. thick floor mat material loose laid over the subfloor. Maxxon Floor Primer to be applied to the surface of the mat prior to the floor topping placement. Floor topping thickness shall be min 1 in. Floor topping thickness shall be min 3/4 in. when used with Crack Suppression Mat (CSM), Metal Lath, or Maxxon Reinforcement (MR).

**MAXXON CORP** — Type Enkasonic 9110, Enkasonic 9110 HP.

**Alternate Floor Mat Materials\*** - (Optional) —Nom 0.2 in. thick floor mat material loose laid over the subfloor. Maxxon Floor Primer may be applied to the surface of the mat prior to the floor topping placement. Floor topping thickness shall be as specified under **Floor Topping Mixture.**

**MAXXON CORP** — Type Acousti-Mat LP-R

**Metal Lath** (Optional) — For use with floor mat materials, 3/8 in. expanded galvanized steel diamond mesh, 3.4 lbs/sq yd or Maxxon Corp. UL Classified Crack Suppression Mat (CSM) loose laid over the floor mat material. Floor topping thickness shall be min 1 in.

**MAXXON CORP** — Type Crack Suppression Mat (CSM)

**Fiber Glass Mesh Reinforcement** — (Optional) — Maxxon Corp's "Maxxon Reinforcement (MR)" for use with or as an alternate to CSM or metal lath reinforcement, the materials consists of a plastic coated non-woven fiber glass mesh grid intended to suppress cracks in the Floor Topping Mixture

**Finish Flooring - Floor Topping Mixture\*** — Min 3/4 in. thickness of floor topping mixture having a min compressive strength of 1000 psi. Mixture shall consist of 3 to 7 gal of water mixed with 80 lbs of floor topping mixture and 1.0 to 2.1 cu ft of sand.

**MAXXON CORP** — Types D-C, GC, GC 2000, L-R, T-F, CT

#### System No. 5

**Subflooring** — Min 23/32 in. thick wood structural panels, min grade "Underlayment" or "Single-Floor". Face grain of plywood or strength axis of panel to be perpendicular to trusses with joints staggered 4 ft. Plywood or panel mechanically fastened to trusses 12 in. OC in conjunction with construction adhesive.

**Floor Mat Materials\* - (Optional)** — Nom 1/4 in. thick floor mat material loose laid over the subfloor. Maxxon Floor Primer to be applied to the surface of the mat prior to the floor topping placement. When floor mat material is used, min thickness of floor topping mixture is 1 in. Floor topping thickness a min 3/4 in. over Acousti-Mat I floor mat.

**MAXXON CORP** — Type Acousti-Mat I, Acousti-Mat II, Acousti-Mat II HP.

**Alternate Floor Mat Materials\*** - (Optional) - Nom 0.8 in. thick floor mat material loose laid over the subfloor with Crack Suppression Mat (CSM) loose laid over the floor mat material. Floor topping thickness shall be min 1-1/2 in.

**MAXXON CORP** — Type Acousti-Mat 3, Acousti-Mat 3 HP, Crack Suppression Mat (CSM)

**Metal Lath** (Alternate to Crack Suppression Mat (CSM)) - 3/8 in. expanded galvanized steel diamond mesh, 3.4 lbs/sq yd loose laid over the floor mat material. Floor topping thickness shall be min 1-1/2 in.

**Fiber Glass Mesh Reinforcement** — (Optional) — Maxxon Corp's "Maxxon Reinforcement (MR)" for use with or as an alternate to CSM or metal lath reinforcement, the materials consists of a plastic coated non-woven fiber glass mesh grid intended to suppress cracks in the Floor Topping Mixture

**Alternate Floor Mat Materials\*** -(Optional) — Nom 0.4 in. thick floor mat material loose laid over the subfloor. Maxxon Floor Primer to be applied to the surface of the mat prior to the floor topping placement. Floor topping thickness shall be min 1 in. Floor topping thickness shall be min 3/4 in. when used with Crack Suppression Mat (CSM), Metal Lath, or Maxxon Reinforcement (MR).

**MAXXON CORP** — Type Enkasonic 9110, Enkasonic 9110 HP.

**Alternate Floor Mat Materials\*** - (Optional) — Nom 0.2 in. thick floor mat material loose laid over the subfloor. Maxxon Floor Primer may be applied to the surface of the mat prior to the floor topping placement. Floor topping thickness shall be as specified under **Floor Topping Mixture.**

**MAXXON CORP** — Type Acousti-Mat LP-R

**Metal Lath** (Optional) — For use with floor mat materials, 3/8 in. expanded galvanized steel diamond mesh, 3.4 lbs/sq yd or Maxxon Corp. UL Classified Crack Suppression Mat (CSM) loose laid over the floor mat material. Floor topping thickness

shall be min 1 in.

**MAXXON CORP** — Type Crack Suppression Mat (CSM)

**Fiber Glass Mesh Reinforcement** — (Optional) — Maxxon Corp's "Maxxon Reinforcement (MR)" for use with or as an alternate to CSM or metal lath reinforcement, the materials consists of a plastic coated non-woven fiber glass mesh grid intended to suppress cracks in the Floor Topping Mixture

**Finish Flooring - Floor Topping Mixture\*** — Min 3/4 in. thickness of floor topping mixture having a min compressive strength of 1200 psi. Mixture shall consist of 4 to 7 gal of water mixed with 80 lbs of floor topping mixture and 1.4 to 1.9 cu ft of sand.

**RAPID FLOOR SYSTEMS** — Type RF, RFP, RFU, RFR, Ortecrete

#### System No. 6

**Subflooring** — Min 23/32 in. thick wood structural panels, min grade "Underlayment" or "Single-Floor". Face grain of plywood or strength axis of panel to be perpendicular to trusses with joints staggered 4 ft. Plywood or panel mechanically fastened to trusses 12 in. OC in conjunction with construction adhesive.

**Vapor Barrier** — (Optional) - Nom 0.010 in. thick commercial asphalt saturated felt.

**Finish Flooring - Floor Topping Mixture\*** — Min 3/4 in. thickness of floor topping mixture having a minimum compressive strength of 1800 psi. Refer to manufacturer's instructions accompanying the material for specific mix design.

**UNITED STATES GYPSUM CO** — Types LRK, HSLRK, CSD

**Floor Mat Materials\*** — (Optional) - Floor mat material loose laid over the subfloor. Refer to manufacturer's instructions regarding the minimum thickness of floor topping over each floor mat material.

**UNITED STATES GYPSUM CO** — Types SAM, LEVELROCK® Brand Sound Reduction Board, LEVELROCK® Brand Floor Underlayment SRM-25

**Alternate Floor Mat Materials\*** — (Optional) - Nom 3/8 in. thick floor mat material loose laid over the subfloor.

**GRASSWORX L L C** — Type SC50

**Alternate Floor Mat Material\*** — (Optional) - Floor mat material nominal 3/8 in. thick loose laid over the subfloor. Floor topping shall be a min 3/4 in. thick. Thickness increased to min 1 in. for used with LEVELROCK® Brand Floor Underlayment SRM-25.

**OWENS CORNING** — Type QuietZone Acoustical Floor Mat

#### System No. 7

**Subflooring** — Min 15/32 in. thick wood structural panels, min grade "C-D" or "Sheathing". Face grain of plywood or strength axis of panels to be perpendicular to the joists with joints staggered.

**Vapor Barrier** — (Optional) - Commercial asphalt saturated felt, 0.030 in. thick.

**Vapor Barrier** — (Optional) - Nom 0.010 in. thick commercial rosin-sized building paper.

**Finish Flooring\*** — Min 3/4 in. thickness of any Floor Topping Mixture bearing the UL Classification Marking as to Fire Resistance. See Floor- and Roof-Topping Mixtures (CCOX) category for names of Classified Companies.

**Floor Mat Materials\*** — (Optional) - Nom. 1/4 in. thick loose laid over the subfloor. Floor topping thickness shall be a minimum of 3/4 in.

**KEENE BUILDING PRODUCTS CO INC** — Type Quiet Qurl 55/025 and Quiet Qurl 55/025 N

**Alternate Floor Mat Materials\*** — (Optional) - Floor mat material Nom. 3/8 in. thick loose laid over the subfloor. Floor topping thickness shall be a minimum of 1 in.

**KEENE BUILDING PRODUCTS CO INC** — Type Quiet Qurl 60/040 and Quiet Qurl 60/040 N

**Alternate Floor Mat Materials\*** — (Optional) - Floor mat material Nom. 3/4 in. thick loose laid over the subfloor. Floor topping thickness shall be a minimum of 1-1/2 in.

**KEENE BUILDING PRODUCTS CO INC** — Type Quiet Qurl 65/075, Quiet Qurl 65/075 N

**Alternate Floor Mat Materials\*** — (Optional) - Floor mat material Nom. 1/8 in. thick loose laid over the subfloor. Floor topping thickness shall be a minimum of 3/4 in.

**KEENE BUILDING PRODUCTS CO INC** — Type Quiet Qurl 52/013 and Quiet Qurl 52/013 N

**Alternate Floor Mat Materials\*** — (Optional) - Floor mat material Nom. 1/4 in. entangled net core with a compressible fabric attached to the bottom loose laid over the subfloor. Floor topping thickness shall be a minimum of 1 in.

**KEENE BUILDING PRODUCTS CO INC** — Quiet Qurl 55/025 MT and Quiet Qurl 55/025 N MT

### System No. 8

**Subflooring** — Min 23/32 in. thick wood structural panels, min grade "Underlayment" or "Single-Floor". Face grain of plywood or strength axis of panel to be perpendicular to trusses with joints staggered 4 ft. Plywood or panel mechanically fastened to trusses 12 in. OC in conjunction with construction adhesive.

**Vapor Barrier - (Optional)** — Nom 0.030 in thick commercial asphalt saturated felt.

**Finish Flooring - Floor Topping Mixture\*** — Min 3/4 in. thickness of floor topping mixture having a min compressive strength of 1000 psi. Refer to manufacturer's instructions accompanying the material for specific mix design.

**ALLIED CUSTOM GYPSUM** — Accu-Crete, AccuRadiant, AccuLevel G40 and AccuLevel SD30.

**Floor Mat Material\*** — (Optional) - Floor mat material nominal 2 - 9.5 mm thick loose laid over the subfloor. Floor topping shall be a min of 3/4 in.

**ALLIED CUSTOM GYPSUM** — Type AccuQuiet P80, Type AccuQuiet C40, AccuQuiet D13.

### System No. 9

**Subflooring** — Min 23/32 in. thick T&G wood structural panels, min grade "Underlayment" or "Single-Floor". Face grain of plywood or strength axis of panels to be perpendicular to the trusses with end joints staggered 4 ft. Panels secured to trusses with construction adhesive and No. 6d ringed shank nails spaced 12 in. OC along each truss. Staples having equal or greater withdrawal and lateral resistance strength may be substituted for the 6d nails.

**Gypsum Board\*** — One layer of nom 5/8 in. thick, 4 ft wide gypsum board, installed with long dimension perpendicular to joists. Gypsum board secured with 1 in. long No. 6 Type W bugle head steel screws spaced 12 in. OC and located a min of 1-1/2 in. from side and end joints. The joints of the gypsum board are to be staggered a minimum of 12 inches from the joints of the subfloor.

**GEORGIA-PACIFIC GYPSUM L L C** — Type DS

**Floor Mat Materials\*** — (As an alternate to the single layer gypsum board) - Floor mat material loose laid over the subfloor.

**MAXXON CORP** — Type Acousti-Mat I, Acousti-Mat II, Acousti-Mat II HP, Acousti-Mat 3, Acousti-Mat 3 HP, Enkasonic 9110, Enkasonic 9110 HP, Acousti-Mat LP-R.

**Gypsum Board\*** — (For use when floor mat is used) Two layers of nom 5/8 in. thick, 4 ft wide gypsum board, installed with long dimension perpendicular to joists on top of the floor mat material. Gypsum board secured to each other with 1 in. long No. 6 Type G bugle head steel screws spaced 12 in. OC and located a min of 1-1/2 in. from side and end joints. The joints of the gypsum board are to be staggered a minimum of 12 inches in between layers and from the joints of the subfloor.

**GEORGIA-PACIFIC GYPSUM L L C** — Type DS

**2. Structural Steel Members\*** — Pre-fabricated light gauge steel truss system consisting of cold-formed, galvanized steel chord and web sections. Trusses fabricated in various sizes, depths, and from various steel thickness. Trusses spaced max 48 in. OC.

**AEGIS METAL FRAMING, DIV OF MITEK** — Ultra-Span, Pre-fabricated Light Gauge Steel Truss System

**ALLIED STUDCO** — Amkey System, Pre-fabricated Light Gauge Steel Truss System

**NUCOR BUILDING SYSTEMS, DIV OF NUCOR CORP** — Types NUTRUSS and NUTRUSS 3.0

**STEEL CONSTRUCTION SYSTEMS INC**

**TRUSSTEEL, DIV OF ITW BUILDING COMPONENTS INC — TrusSteel**

3. **Bridging - (Not Shown)** — Location of lateral bracing for truss chord and web sections to be specified on truss engineering.

4. **Batts and Blankets\* (Optional)** — Any thickness of mineral wool or glass fiber insulation fitted in the concealed space, draped over the resilient channels and gypsum board ceiling membrane. Any mineral wool or glass fiber insulation bearing the UL Classification Marking for Surface Burning Characteristics having a flame spread index of 25 or less and a smoke developed index of 50 or less may be used.

See **Batts and Blankets** (BKNV) category in the Building Materials Directory for names of manufacturers.

4A. **Loose Fill Material\* - (Optional)** — As an alternate to Item 4, any thickness of loose fill material installed on top of gypsum board ceiling membrane. Any loose fill material bearing the UL Classification Marking for Surface Burning Characteristics having a flame spread index of 25 or less and a smoke developed index of 50 or less may be used.

See **Loose Fill Materials** (BPHX) category in the Building Materials Directory for names of manufacturers.

5. **Resilient Channels** — Resilient channels formed of 25 MSG galv steel, installed perpendicular to the trusses spaced max 16 in. OC. When batt insulation (Item 4) is fitted in the concealed space and draped over the resilient channel/gypsum board ceiling membrane, or when loose fill insulation (Item 4A) is used, resilient channel spacing shall be max 12 in. OC. Channels secured to each truss with 1/2 in. long Type S12 steel screws. Channel splices located beneath trusses and overlapped 4 in. Two channels, spaced 6 in. OC, oriented opposite each gypsum board end joint as shown in end joint detail. Additional channels shall extend min 6 in. beyond each side edge of board. As an alternate to the resilient channels, furring channels (Item 5A) or **Steel Framing Members\*** (Item 5B) may be used.

5A. **Furring Channels - (Not Shown)** — As an alternate to Item 5, resilient channels, double legged formed of 25 MSG galv steel, 2-7/8 in. wide by 1/2 in. deep, installed perpendicular to the trusses spaced max 16 in. OC. When batt insulation (Item 4) is fitted in the concealed space and draped over the resilient channel/gypsum board ceiling membrane, or when loose fill insulation (Item 4A) is used, resilient channel spacing shall be max 12 in. OC. Channels secured to each truss with 1/2 in. long Type S12 steel screws or with No. 18 SWG galv steel wire double strand saddle ties. Channel splices located beneath trusses and overlapped 4 in. Channels tied together at splices with double strand of No. 18 SWG galv steel wire at each end of overlap. Two channels, spaced 6 in. OC, oriented opposite each gypsum board end joint as shown in end joint detail. Additional channels shall extend min 6 in. beyond each side edge of board.

5B. **Alternate Steel Framing Members\* - (Not Shown)** — As an alternate to Items 5 and 5A, main runners, cross tees or channels, and wall angle or channels as listed below:

a. **Main Runners** — Nom 10 or 12 ft long, 15/16 in. or 1-1/2 in. wide face, spaced 4 ft OC perpendicular to trusses. Main runners suspended a min of 2 in. beneath bottom chord of trusses with min 12 SWG galv steel hanger wires spaced 48 in. OC. Hanger wires to be located adjacent to main runner/cross tee intersections.

b. **Cross Tees or Channels** — Cross tees, nom 4 ft long, 15/16 in or 1-1/2 in. wide face, or cross channels nom 4 ft long, 1-1/2 in. wide face, installed perpendicular to the main runners, spaced 16 in. OC. Additional cross tees or cross channels used at 8 in. from each side of butted gypsum board end joints. The cross tees or cross channels may be riveted or screw attached to the wall angle or channel to facilitate the ceiling installation.

c. **Wall Angle or Channel** — Used to support steel framing member ends and for screw attachment of the gypsum board. Min 0.016 in. thick painted or galvanized steel angle with 1 in. legs or min 0.016 in. thick painted or galvanized steel channel with a 1 by 1 1/2 by 1 in. profile, attached to walls at perimeter of ceiling with fasteners 16 in. OC.

**CGC INC** — Types DGL, RX

**USG INTERIORS LLC** — Types DGL, RX

6. **Gypsum Board\*** — For use with resilient channels (Item 5) or furring channels (Item 5A) - Nom 5/8 in. thick, 48 in. wide gypsum board installed with long dimension perpendicular to resilient channels. Gypsum board secured with 1 in. long Type S bugle head steel screws spaced 12 in. OC along butted end joints and in the field. End joints secured to both pieces of resilient channel as shown in end joint detail. When batt insulation (Item 4) is fitted in the concealed space and draped over the resilient channel/gypsum board ceiling membrane, or when loose fill insulation (Item 4A) is used, screw spacing shall be 8 in. OC along butted end joints and in the field.

**AMERICAN GYPSUM CO** — Type AG-C

6A. **Alternate Gypsum Board\*** — For use with **Steel Framing Members\*** (Item 5B) - Nom 5/8 in. thick, 48 in. wide gypsum board installed with long dimension parallel to the main runners. Gypsum board fastened to each cross tee or channel with five drywall screws, with one screw located at the midspan of the cross tee or channel, one screw located 12 in. from and on each side of the cross tee or channel mid span and one screw located 1-1/2 in. from each wallboard side joint. Except at gypsum board end joints, gypsum board screws shall be located 1/2 in. from the joint. Gypsum board fastened to main runners with drywall screws 1/2 in. from side joints, midway between intersections with cross tees or channels (16 in. OC). End joints of adjacent gypsum board sheets shall be staggered not less than 32 in. Gypsum board sheets screw attached to leg of wall angle with drywall screws spaced 12 in. OC. When batt insulation (Item 4) is fitted in the concealed space and draped over the resilient channel/gypsum board ceiling membrane, or when loose fill insulation

(Item 4A) is used, screws spacing shall be 8 in. OC.

**AMERICAN GYPSUM CO** — Type AG-C

7. **Finishing System - (Not Shown)** — Vinyl, dry or premixed joint compound, applied in two coats to joints and screw-heads. Nom 2 in. wide paper tape embedded in first layer of compound over all joints. As an alternate, nom 3/32 in. thick veneer plaster may be applied to the entire surface of gypsum board.

8. **Steel Beam - (Optional, Not Shown)** — W8x35 min size, used to support structural steel members (Item 2) at ends.

**\* Indicates such products shall bear the UL or cUL Certification Mark for jurisdictions employing the UL or cUL Certification (such as Canada), respectively.**

Last Updated on 2015-02-26

---

[Questions?](#)

[Print this page](#)

[Terms of Use](#)

[Page Top](#)

© 2015 UL LLC

When the UL Leaf Mark is on the product, or when the word "Environment" is included in the UL Mark, please search the [UL Environment database](#) for additional information regarding this product's certification.

The appearance of a company's name or product in this database does not in itself assure that products so identified have been manufactured under UL's Follow-Up Service. Only those products bearing the UL Mark should be considered to be Certified and covered under UL's Follow-Up Service. Always look for the Mark on the product.

UL permits the reproduction of the material contained in the Online Certification Directory subject to the following conditions: 1. The Guide Information, Assemblies, Constructions, Designs, Systems, and/or Certifications (files) must be presented in their entirety and in a non-misleading manner, without any manipulation of the data (or drawings). 2. The statement "Reprinted from the Online Certifications Directory with permission from UL" must appear adjacent to the extracted material. In addition, the reprinted material must include a copyright notice in the following format: "© 2015 UL LLC".